

Series circuit:

circuit diagram:

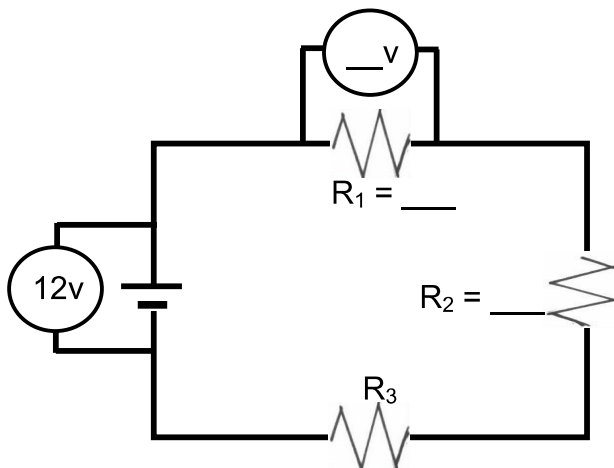
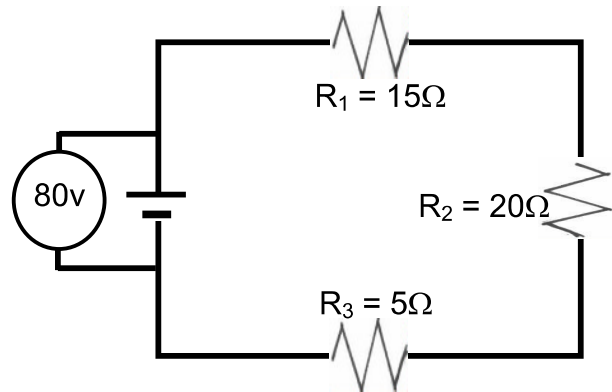
In a series circuit:

- Current -  
Equation:
- Voltage -  
Equation:
- Resistance -  
Equation:

Ex Problem:

$R_T = \underline{\hspace{2cm}}$     $V_T = \underline{\hspace{2cm}}$     $I_T = \underline{\hspace{2cm}}$

$V_1 = \underline{\hspace{2cm}}$     $V_2 = \underline{\hspace{2cm}}$     $V_3 = \underline{\hspace{2cm}}$



Problem Set #3

$I_1 = \underline{\hspace{2cm}}$     $I_2 = \underline{\hspace{2cm}}$     $I_3 = \underline{\hspace{2cm}}$

$V_2 = \underline{\hspace{2cm}}$     $V_3 = \underline{\hspace{2cm}}$     $R_3 = \underline{\hspace{2cm}}$