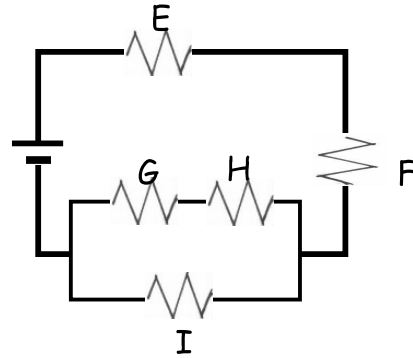
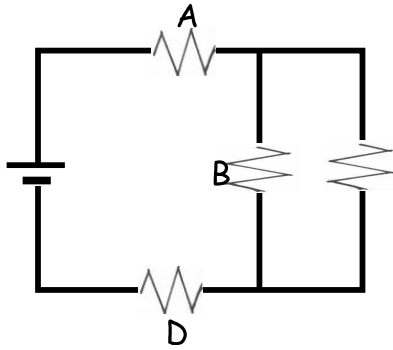
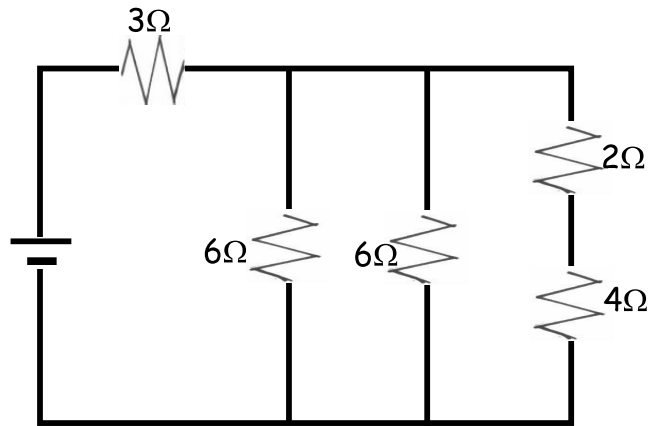


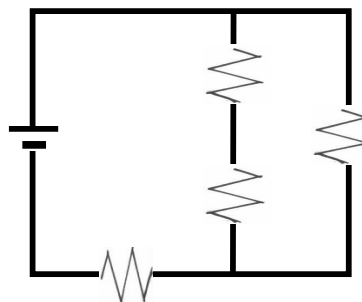
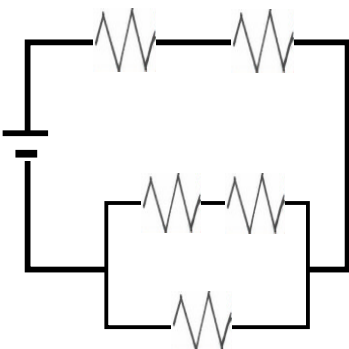
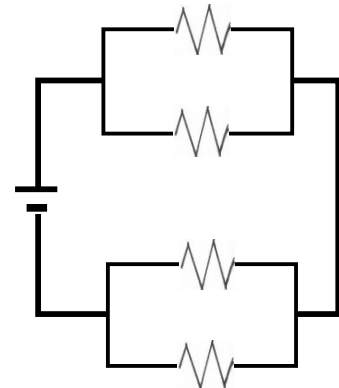
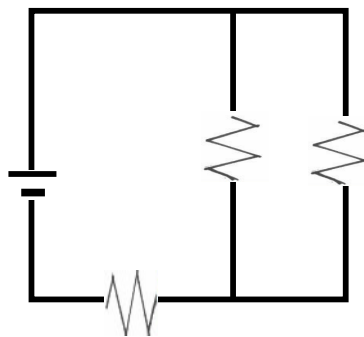
Problem Set #1: Describe how each resistor is connected.



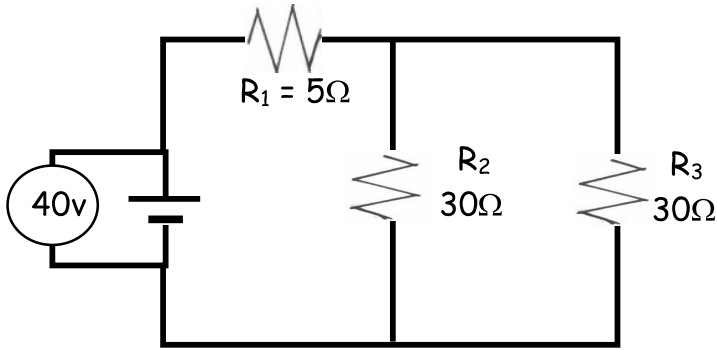
Example -



Problem Set #2



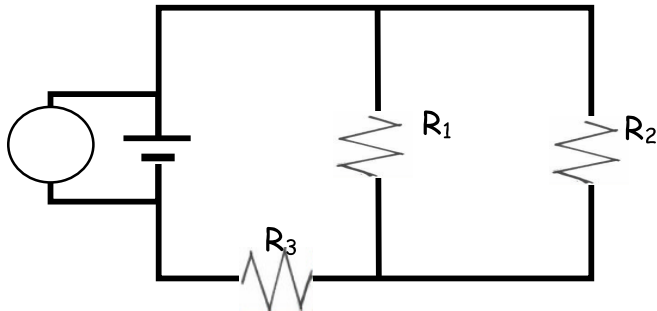
Ex #1 - complex circuit problem



$R_T = \underline{\hspace{1cm}}$ $I_T = \underline{\hspace{1cm}}$ $I_2 = \underline{\hspace{1cm}}$

$V_1 = \underline{\hspace{1cm}}$ $V_2 = \underline{\hspace{1cm}}$ $V_3 = \underline{\hspace{1cm}}$

Problem Set #3-



$R_T = \underline{\hspace{1cm}}$ $I_T = \underline{\hspace{1cm}}$ $I_3 = \underline{\hspace{1cm}}$

$V_3 = \underline{\hspace{1cm}}$ $V_1 = \underline{\hspace{1cm}}$ $V_2 = \underline{\hspace{1cm}}$

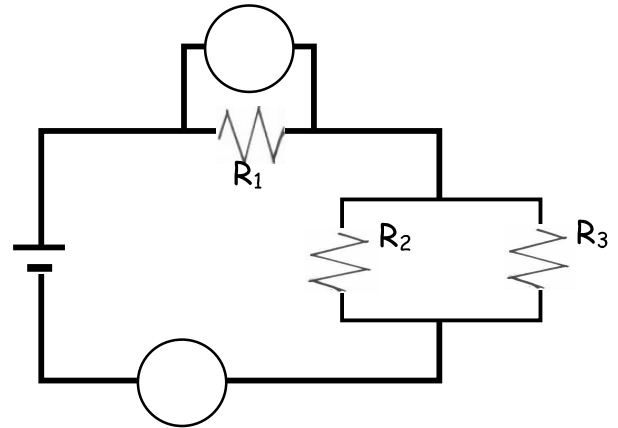
$I_1 = \underline{\hspace{1cm}}$ $I_2 = \underline{\hspace{1cm}}$

Problem Set #4-

$I_T = \underline{\hspace{1cm}}$ $I_1 = \underline{\hspace{1cm}}$ $R_1 = \underline{\hspace{1cm}}$

$R_T = \underline{\hspace{1cm}}$ $V_T = \underline{\hspace{1cm}}$ $V_2 = \underline{\hspace{1cm}}$

$V_3 = \underline{\hspace{1cm}}$ $I_2 = \underline{\hspace{1cm}}$ $I_3 = \underline{\hspace{1cm}}$



Problem Set #5-

$V_3 = \underline{\hspace{1cm}}$ $V_2 = \underline{\hspace{1cm}}$ $V_1 = \underline{\hspace{1cm}}$

$I_3 = \underline{\hspace{1cm}}$ $I_2 = \underline{\hspace{1cm}}$ $I_T = \underline{\hspace{1cm}}$

$I_1 = \underline{\hspace{1cm}}$ $R_1 = \underline{\hspace{1cm}}$

