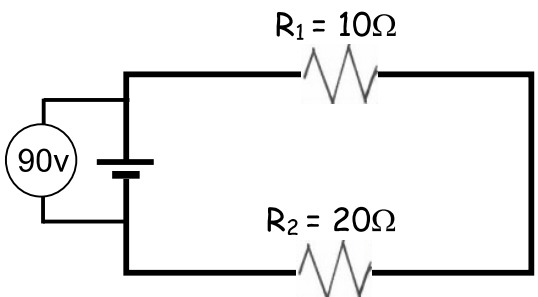
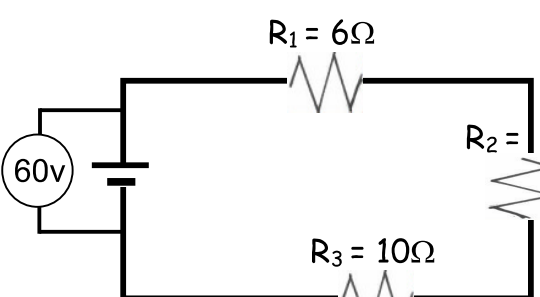
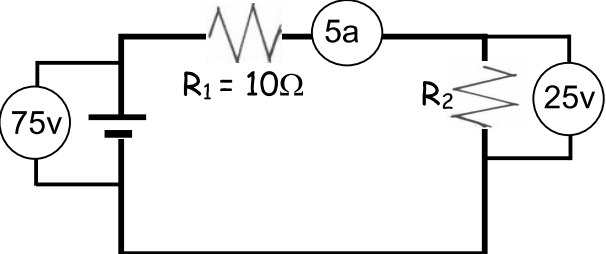
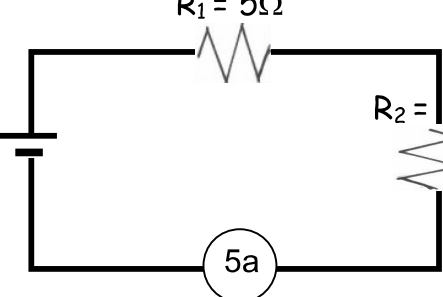
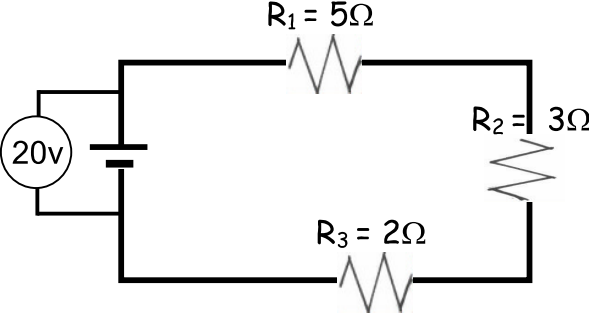
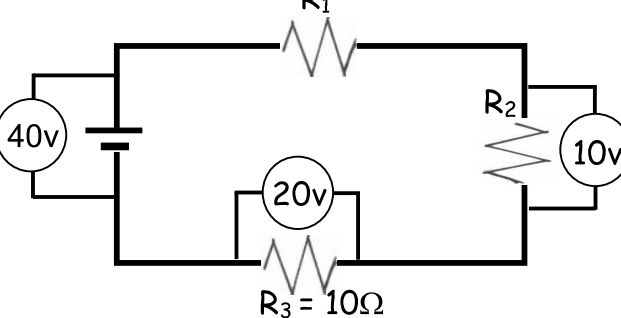


Worksheet- Series Circuit Problems, Episode 903 Name _____

Remember that in a series circuit:

- the **current** in every part of the circuit (is the same, adds up).
- the **voltage** supplied by the battery is the _____ voltage of the circuit, and the voltage drops across each resistor (is the same, adds up to) the total voltage.
- to calculate total **resistance**, (add, use reciprocals).

 <p style="text-align: center;">$R_1 = 10\Omega$ $R_2 = 20\Omega$</p> <p>$R_T = \underline{\hspace{2cm}}$ $I_T = \underline{\hspace{2cm}}$ $I_1 = \underline{\hspace{2cm}}$ $I_2 = \underline{\hspace{2cm}}$ $V_1 = \underline{\hspace{2cm}}$ $V_2 = \underline{\hspace{2cm}}$</p>	 <p style="text-align: center;">$R_1 = 6\Omega$ $R_2 = 14\Omega$ $R_3 = 10\Omega$</p> <p>$R_T = \underline{\hspace{2cm}}$ $I_T = \underline{\hspace{2cm}}$ $I_1 = \underline{\hspace{2cm}}$ $I_2 = \underline{\hspace{2cm}}$ $I_3 = \underline{\hspace{2cm}}$ $V_1 = \underline{\hspace{2cm}}$ $V_2 = \underline{\hspace{2cm}}$ $V_3 = \underline{\hspace{2cm}}$</p>
 <p style="text-align: center;">$R_1 = 10\Omega$ 5a R_2 25v</p> <p>$V_1 = \underline{\hspace{2cm}}$ $I_2 = \underline{\hspace{2cm}}$ $R_2 = \underline{\hspace{2cm}}$</p>	 <p style="text-align: center;">$R_1 = 5\Omega$ $R_2 = 15\Omega$ 5a</p> <p>$V_1 = \underline{\hspace{2cm}}$ $V_2 = \underline{\hspace{2cm}}$ $V_T = \underline{\hspace{2cm}}$</p>
 <p style="text-align: center;">$R_1 = 5\Omega$ $R_2 = 3\Omega$ $R_3 = 2\Omega$</p> <p>$R_T = \underline{\hspace{2cm}}$ $I_T = \underline{\hspace{2cm}}$ $V_1 = \underline{\hspace{2cm}}$ $V_2 = \underline{\hspace{2cm}}$ $V_3 = \underline{\hspace{2cm}}$</p>	 <p style="text-align: center;">R_1 R_2 10v 20v $R_3 = 10\Omega$</p> <p>$I_3 = \underline{\hspace{2cm}}$ $I_1 = \underline{\hspace{2cm}}$ $V_1 = \underline{\hspace{2cm}}$ $R_1 = \underline{\hspace{2cm}}$ $R_2 = \underline{\hspace{2cm}}$</p>